

LZB-FL Series Rotary Shunt Flow Meter

■ Summary

LZB-FL series rotary shunt flow meter is a kind of instrument composed by throttling device(orifice plate) of main pipeline and rotary flow meter(glass tube flowmeter,metal tube flowmeter) of separate pipeline,which can get the main pipeline flow through measuring the separate pipeline flowrate.

■ Features

- ◆ Use the stable small-bore flow meter to measure the large flowrate;
- ◆ Easy read,convenient use and maintenance,compact structure design;
- ◆ When clean or change graduated tube,it is unnecessary to stop the main pipeline flow(equip with stop valve);
- ◆ This series flow meter adopt to the principle of differential pressure and orifice plate machinery principle,can be widely used;
- ◆ Rangeability:5:1
- ◆ Composed with metal tube flowmeter can equip with 4~20mA current signal output.

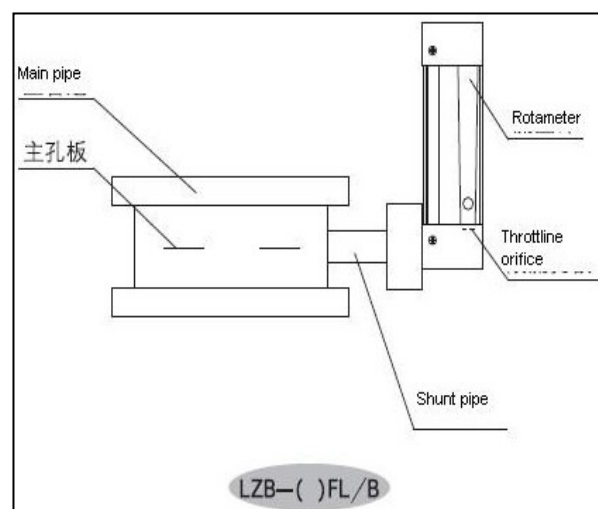
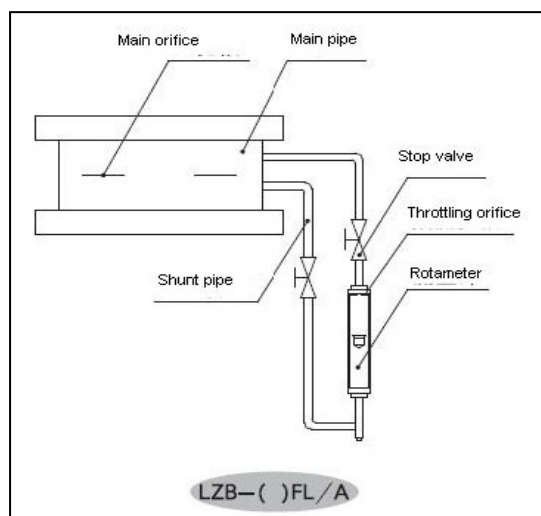
■ Structure and Type

LZB-()FL series flowmeter are composed by main pipeline,main orifice,shunt pipeline,throttling orifice,rotameter and stop valves (optional).See Figure 1. As reference;

LZB-()FL/A series adopt to flange connection(or wafer),equip with DN15 rotameter,shunt pipeline with 1/2" size,also instal stop valve in the end of rotameter.There are 8 installations for optional;

LZB-()FL/B series adopt to flange connection.The users can change the instal vertical or horizontal.This series equip with DN10 flowmeter,with small structure,stop valve is optional;

LZB-()FL/G series adopt to thread connection.Which can measure micro flow (DN15~DN50),features are same as LZB-()FL/B.



Glass tube flow meter

■ Technical Parameter

Accuracy	5%	
Max.working pressure	0.75MPa	
Max.working temperature	Gas	35℃
	Liquid	75℃
Ambient temperature	0~60℃	

■ Measuring Range

DN(mm)	Flow Range Water(DP up-limit 60KPa)	Temp.(℃)	Pressure(MPa)
15	20L/min	0~120	≤1.0
20	50L/min		
25	100L/min		
32	200L/min		
40	200L/min		
50	300L/min		
65	500L/min		
80	1000L/min		
100	1000L/min		
150	3m ³ /min		
200	400m ³ /min		
250	650m ³ /min		
300	900m ³ /min		

■ Outline Size

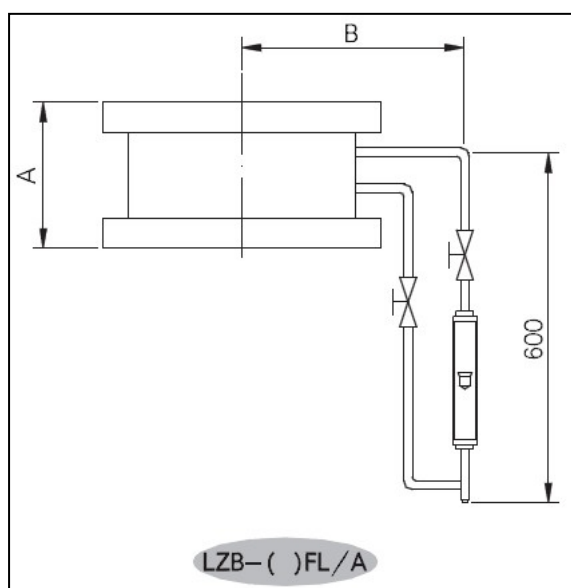


Fig.1

DN(mm)	A	B
DN50	150	135
DN65	150	135
DN80	150	135
DN100	150	150
DN125	150	150
DN150	150	180
DN200	160	320
DN250	160	320
DN300	160	345

Changzhou Chengfeng Flowmeter Co.,Ltd

Tel:86-519-85327611(Export Dept.) Switchboard:86-519-85503588/85503688

Fax:86-519-85505269,86-519-85503588-8008

Http://www.qf-meter.com

Glass tube flow meter

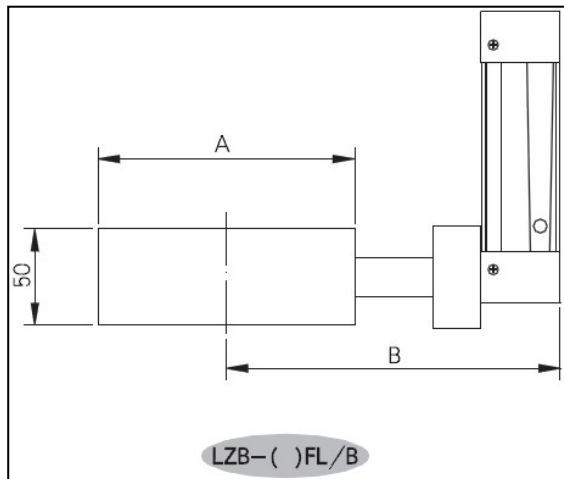


Fig.2

DN(mm)	A	B
DN50	99	175
DN65	118	185
DN80	132	190
DN100	156	205
DN125	184	218
DN150	211	230
DN200	266	258
DN250	319	285
DN300	370	310

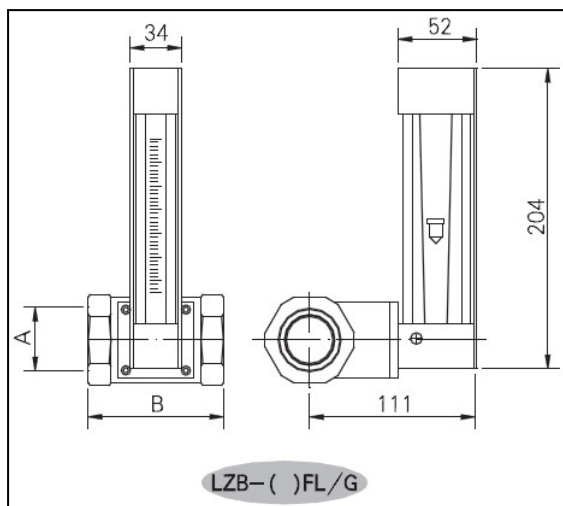


Fig.3

DN(mm)	A	B
DN15	G1/2"	80
DN20	G3/4"	80
DN25	G1"	80
DN32	G1 1/4"	90
DN40	G1 1/2"	90
DN50	G2"	100

■ Installation Instruction

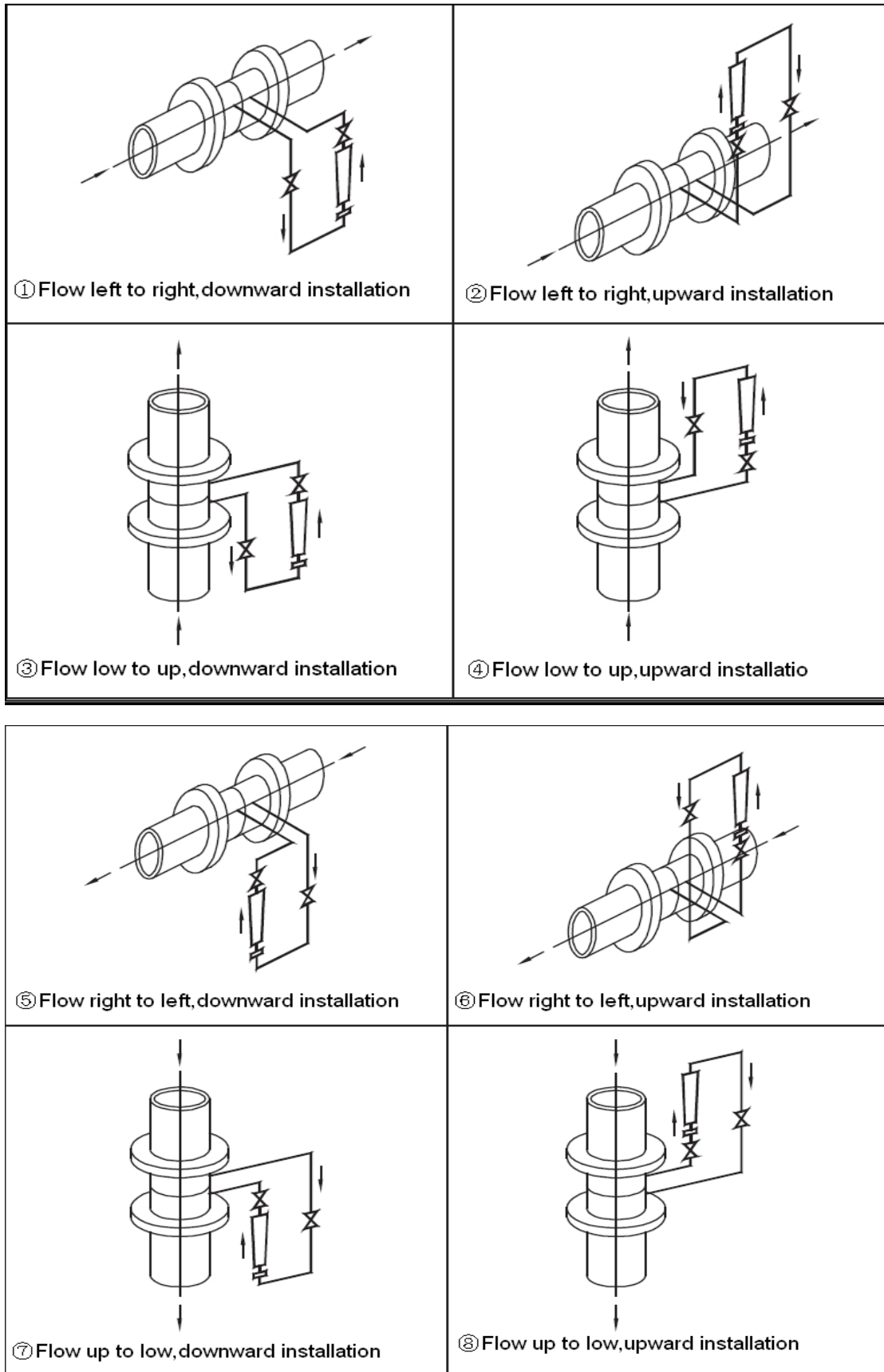
1. In order to make sure the accuracy, please install the straight length in the input and output side. The length of input must be more than 10D, the length of output must be more than 5D.
2. Please install the filter in the end of input, so that the instrument can work smoothly.
3. Keep the pipeline full of liquid all the time;
4. If install the stop valves, please open them on operation.

■ Installation Type

LZB-()FL/A series are optional with eight installation types;

LZB-()FL/B series and LZB-()FL/G series can be adjustable the horizontal installation or vertical installation;

Glass tube flow meter



Changzhou Chengfeng Flowmeter Co.,Ltd

Tel:86-519-85327611(Export Dept.) Switchboard:86-519-85503588/85503688

Fax:86-519-85505269,86-519-85503588-8008

[Http://www.qf-meter.com](http://www.qf-meter.com)

Glass tube flow meter
■ Type Selection

Table 5											
LZB-											
	()	25,32,40,50,65,80,100,125,150,200,250,300								Diameter	
		FL									Shunt flow
			A	Flange connection,equip with DN15 flowmeter,with 8 types installation						Connection type	
			B	Flange connection,equip with DN10,horizontal and vertical installation changeable							
			G	Threaded connection,equip with DN10,horizontal and vertical installation changeable,DN25~50 optional							
			<input type="checkbox"/>	1,2,3,4,5,6,7,8 A type must choose,see Fig.1 as reference.B and G type with blank						Instal type	
				TG	Carbon steel					Materials	
				RR1	SS304						
				RR0	SS316						
				RL	SS316L						
				<input type="checkbox"/>	0~120℃					Work temp.	
				<input type="checkbox"/>	<1.0MPa					Work pressure	
				<input type="checkbox"/>						Density	
				<input type="checkbox"/>						Medium	
				<input type="checkbox"/>						Flow range	
LZB-	() /	FL /	<input type="checkbox"/> /	<input type="checkbox"/> /	<input type="checkbox"/> /	<input type="checkbox"/> /	<input type="checkbox"/> /	<input type="checkbox"/> /	<input type="checkbox"/> /	<input type="checkbox"/> /	